



Innovation Is Our Passion

IASS TRIPOD TURNSTILES



Tripod Turnstile

IASS TT-06/ IASS TT-07



Innovation Is Our Passion

TECHNICAL SPECIFICATIONS

Technical Data	IASS TT-06	IASS TT-07
Housing Variant	Long	Long
Application	Outdoor and Indoor	Outdoor and Indoor
Passageway width	515 mm	515 mm
Flow Rating	Approx 20	Approx 30
Drive Technology	Electromagnetic Clutch	Servo Drive with Encoder
Voltage	180–240-volt, 50 Hz	180–240-volt, 50 Hz
Power Consumption	Max 20 Watts	Max 30 Watts
Duty Cycle	100 %	100 %
Housing Dimension (L x W x H)	1200 x 300 x 980 mm	1200 x 300 x 980 mm
Housing Material	Stainless Steel 304	Stainless Steel 304
Weight	About 57 Kg	About 70 Kg
Enclosure Rating	IP 54	IP 54
Temperature Range	0 to 45°C	0 to 45°C

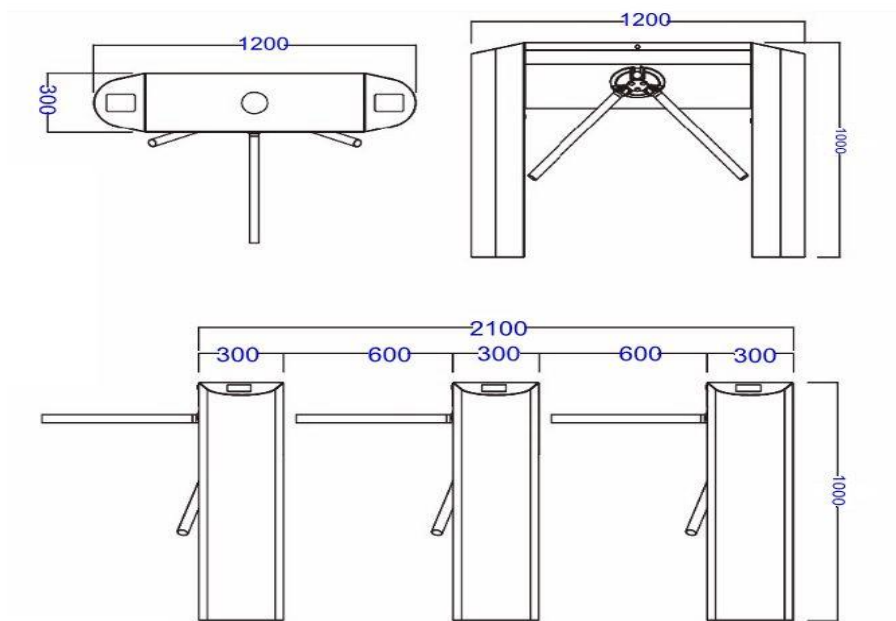
Features:

Direction of Passage	Uni or Bi directional	Uni or Bi directional
Emergency Release	Yes, in case of electricity failure and fire alarm.	Yes, in case of electricity failure and fire alarm.
Throughput Data acquisition and event log	Can be customized if required	Can be customized if required
Integration	Can be integrated with all existing security systems.	Can be integrated with all existing security systems.



Innovation Is Our Passion

Dimensional Drawing:



Manufactured by / OEM :
INAMDAR ADVANCE SECURE SYSTEMS (IASS),
Email: inamdar@iass.in
Website: www.iass.in